

QUICKSHEET

acnNFC

Take a sense of the environment for unleashed
creativity



**MA:DE IN
GERMANY**

aconno™

Preamble

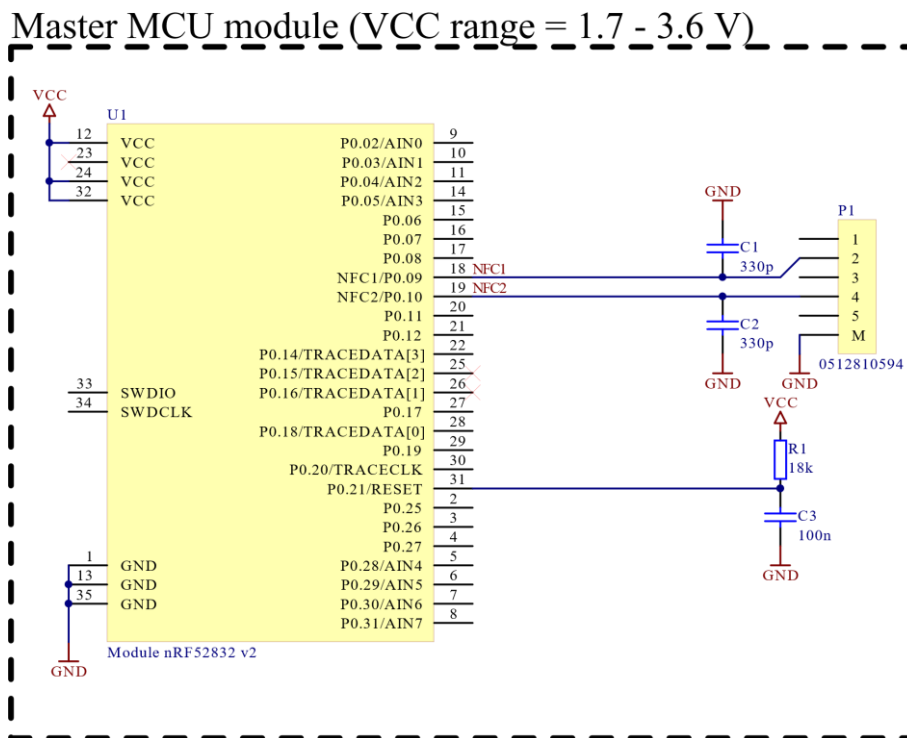
This document is a preface of a real datasheet and is meant to give you enough data for a quick start with this aconno product.

Please take all necessary data (e.g. temperature or voltage ranges) of the used components from the linked datasheets.

Environmental specifications

- ROHS conform
- Temperature range -40°C to +85°C
- IP65 case
- CR2450 battery powered

Schematic



Components

NFC antenna

BLE module: [ACN52832 \(https://aconno.de/products/acn52832\)](https://aconno.de/products/acn52832)

