

QUICKSHEET

acnACT

The endless possibilities are one click away



**MA:DE IN
GERMANY**

aconno™

Preamble

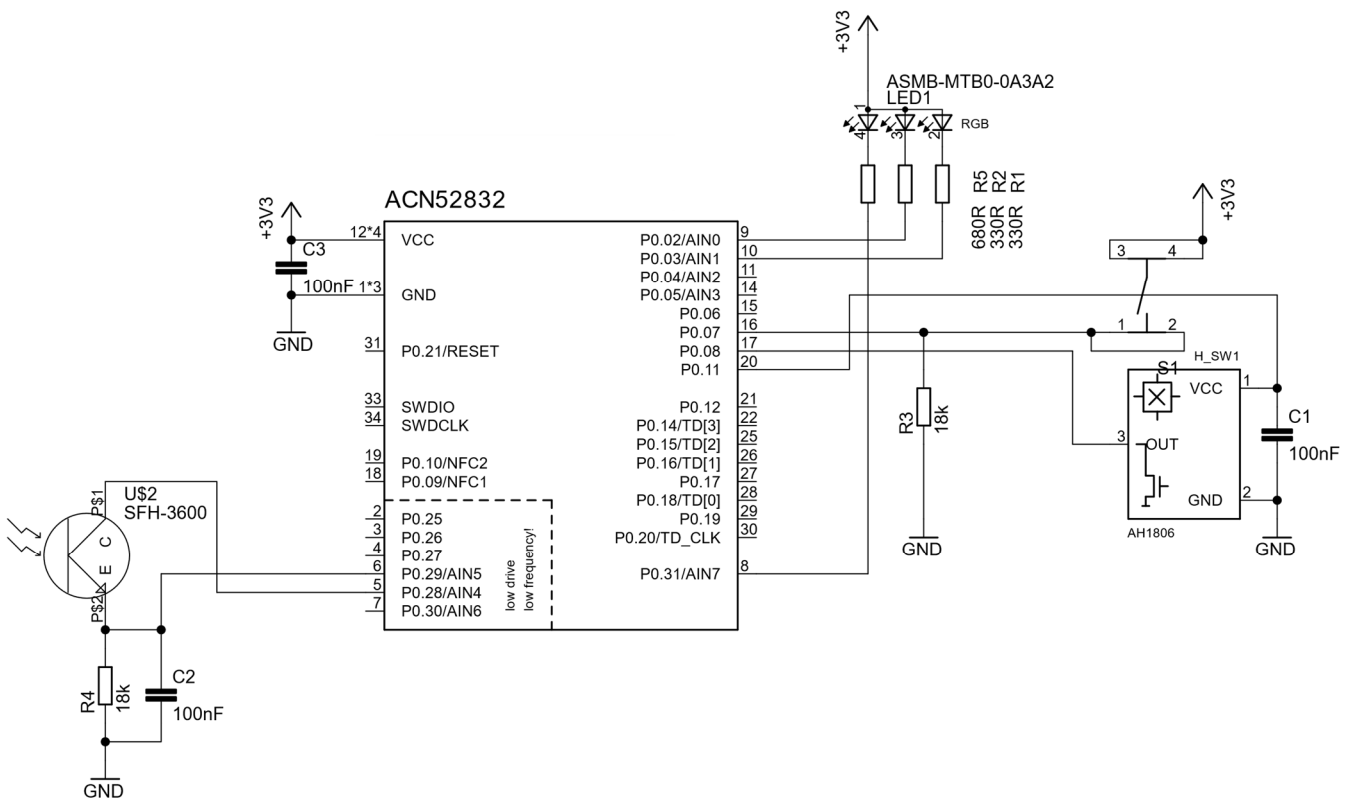
This document is a preface of a real datasheet and is meant to give you enough data for a quick start with this aconno product.

Please take all necessary data (e.g. temperature or voltage ranges) of the used components from the linked datasheets.

Environmental specifications

- ROHS conform
- Temperature range -40°C to +85°C
- Rilsan case with IP65 equivalent
- CR2450 battery powered

Schematic



Components

BLE module: [ACN52832](https://aconno.de/products/acn52832) (<https://aconno.de/products/acn52832>)

Phototransistor: [SFH-3600](https://aconno.de/SFH-3600) (<https://aconno.de/SFH-3600>)

Hall-effect switch: [AH1806](https://aconno.de/AH1806) (<https://aconno.de/AH1806>)

LED: [RGB](https://aconno.de/RGB) (<https://aconno.de/RGB>)



FACEBOOK



TWITTER



LINKEDIN



YOUTUBE

